

TECHNICAL MANUAL

ROTEL[®] RC-850 STEREO CONTROL AMPLIFIER

TABLE OF CONTENTS

Chassis Layout.....	1
Repair Parts List.....	1
Wiring Diagram.....	2
Schematic Diagram.....	4

THE ROTEL CO., LTD.

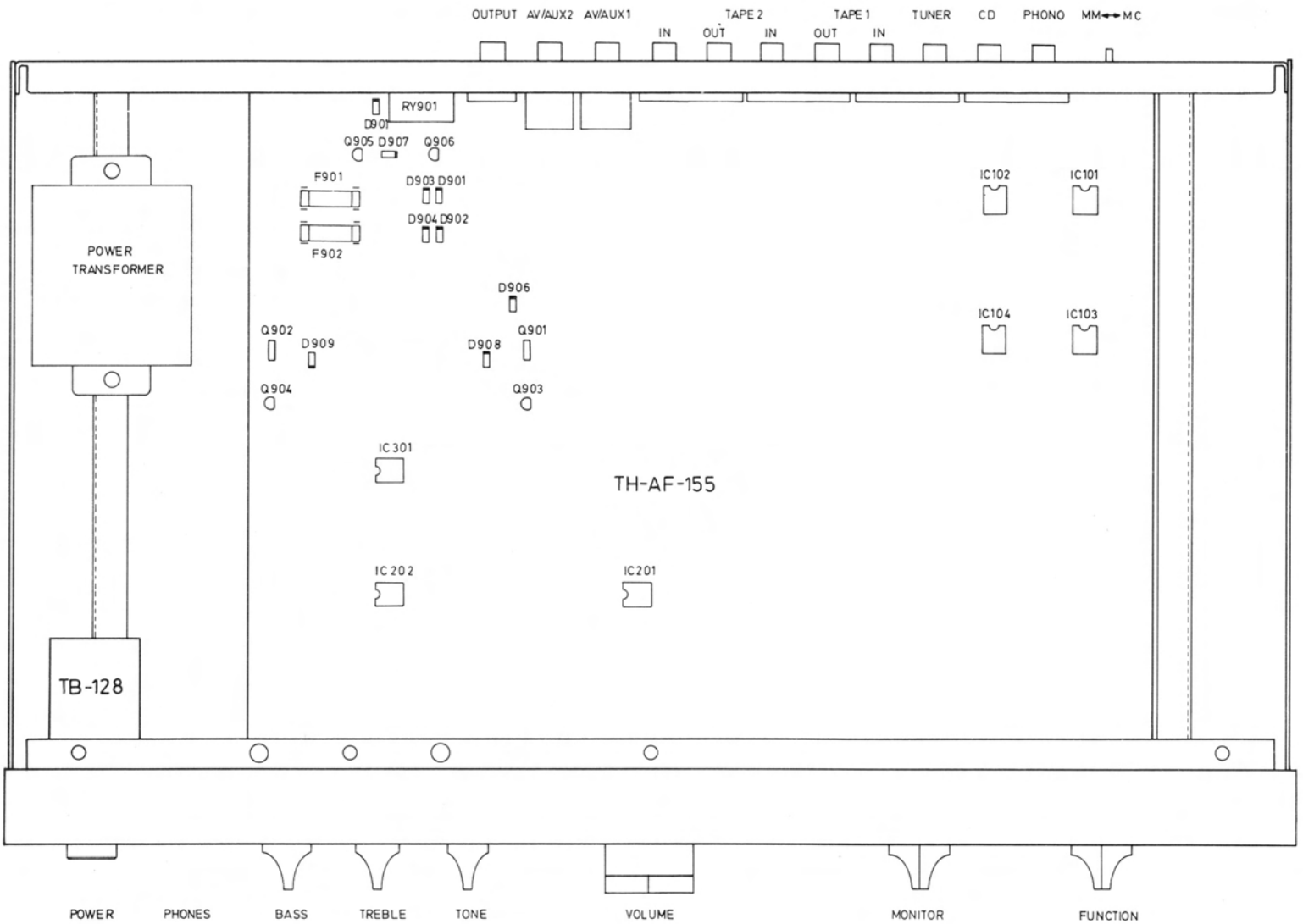
1-36-8 OHOKAYAMA, MEGURO-KU, TOKYO 152, JAPAN

ROTEL ELECTRONICS CO., LTD.

ROTEL BLDG., 3F. NO. 35, FUSING N. ROAD, TAIPEI, TAIWAN, REPUBLIC OF CHINA

MN20001287

Chassis Layout

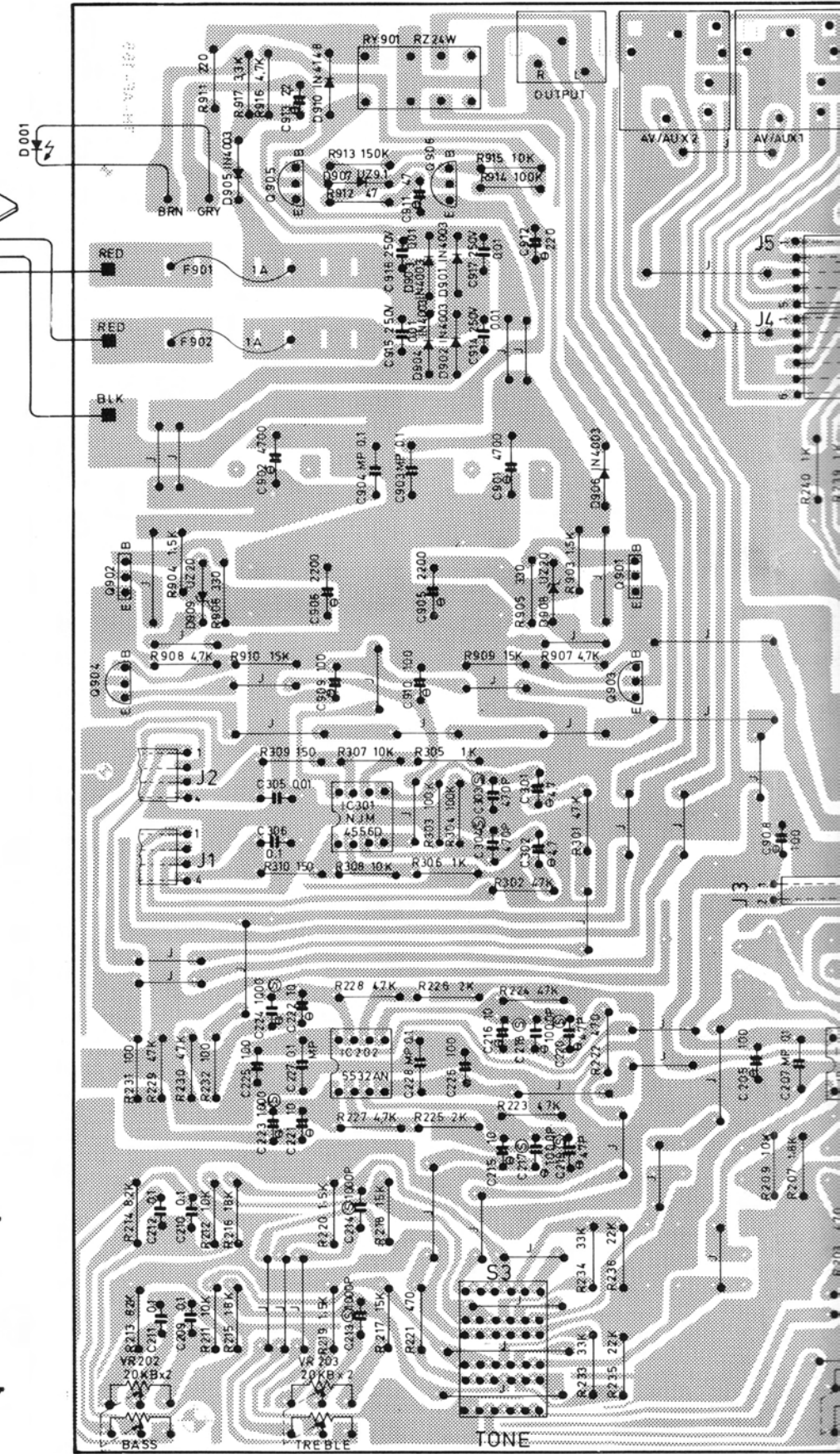
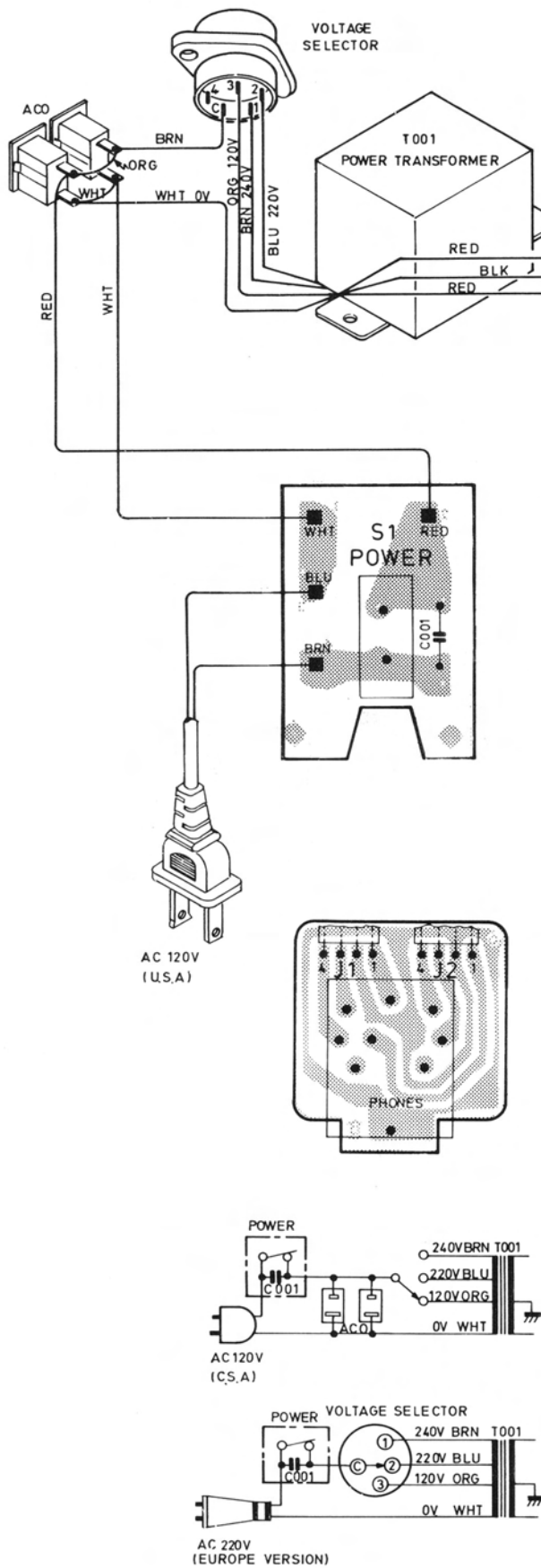


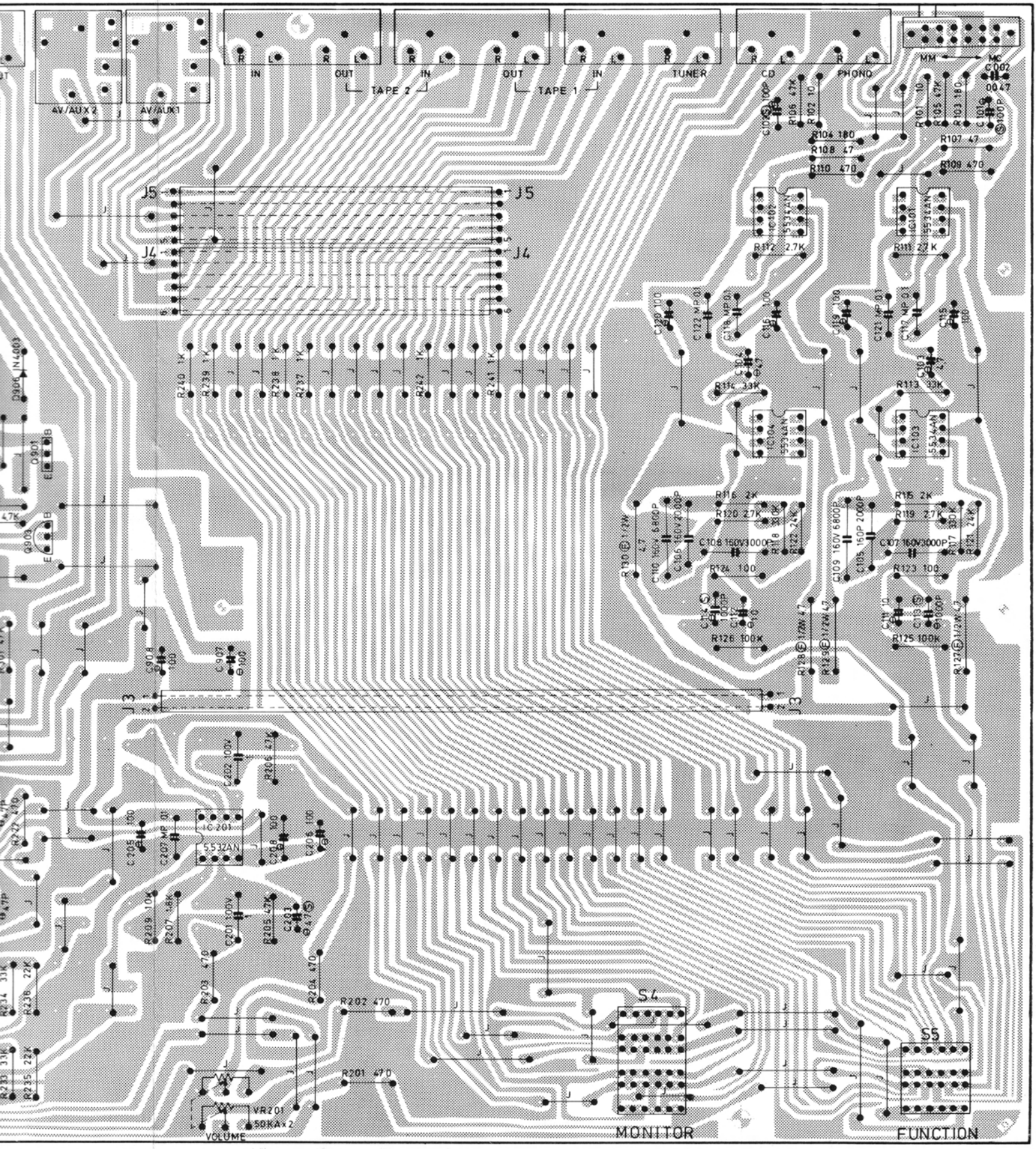
Repair Parts List

Schematic Location	Computer No.	Description
Q901	TR40000069	2SD600K(E,F), Stabilizer
Q902	TR10000047	2SB631K(E,F), Stabilizer
Q903	TR30000121	2SC2274(E,F), Stabilizer
Q904	TR10000140	2SA984K(E,F), Stabilizer
Q905	TR30000327	2SC536G, Relay Driver
Q906	TR30000327	2SC536G, For Switch
IC101,102	IC00001735	NE5534AN, Phono Amp
IC201,202	IC00001693	NE5532AN, Flat Amp.
IC303	IC00001474	NJM4556D, Phone Amp.
D901 ~ 904	DD10000068	IN4003, Diode
D905,906	DD10000068	IN4003, Diode
D907	DD20000132	UZ91.B(M,H), Zener Diode
D910	DD10000100	IN4148, Diode
D001	DD40000095	LN224R, LED
VR201	RV10000048	4TR-1505 50KA × 2, Volume Control
VR202	RV10001139	4TR-2355 20KB × 2, Bass Control
VR203	RV10001139	4TR-2355 20KB × 2, Treble Control

Schematic Location	Computer No.	Description
S1	SH40000120	Power Switch C-3600B-T
S2	SH20000319	Slide Switch, 4TR-2294
S3	SH30000330	Function Switch, C-4174A07
S4	SH30000365	Function Switch, C-4174A08
S5	SH30000328	Function Switch, C-4174A06
T001	PT24607102	TT-246-GF, Power Transformer
F901,902	FU12000070	Fuse, 250V 1A UL
	FU21000022	Fuse, Mini 1A
	FU23000025	Fuse, 250V 1A S

Wiring Diagram





AV/AUX 2

AV/AUX 1

TAPE 2

TAPE 1

TUNER

CD

PHONO

J5

J5

J4

J4

R240 1K

R239 1K

R238 1K

R237 1K

R242 1K

R241 1K

R110 1/2W

R116 2K

R120 2.7K

R118 3.0K

R122 2.2K

R128 100K

R129 120K

R135 1/2W

R115 2K

R119 2.7K

R17 80K

J3

J3

J13

J13

J13

J13

J209 10K

J207 48K

J208 47K

J201 50KV

J203 47K

J204 47K

J202 47K

J205 100K

J234 33K

J235 22K

J236 22K

J233 33K

J235 22K

J234 33K

VOLUME

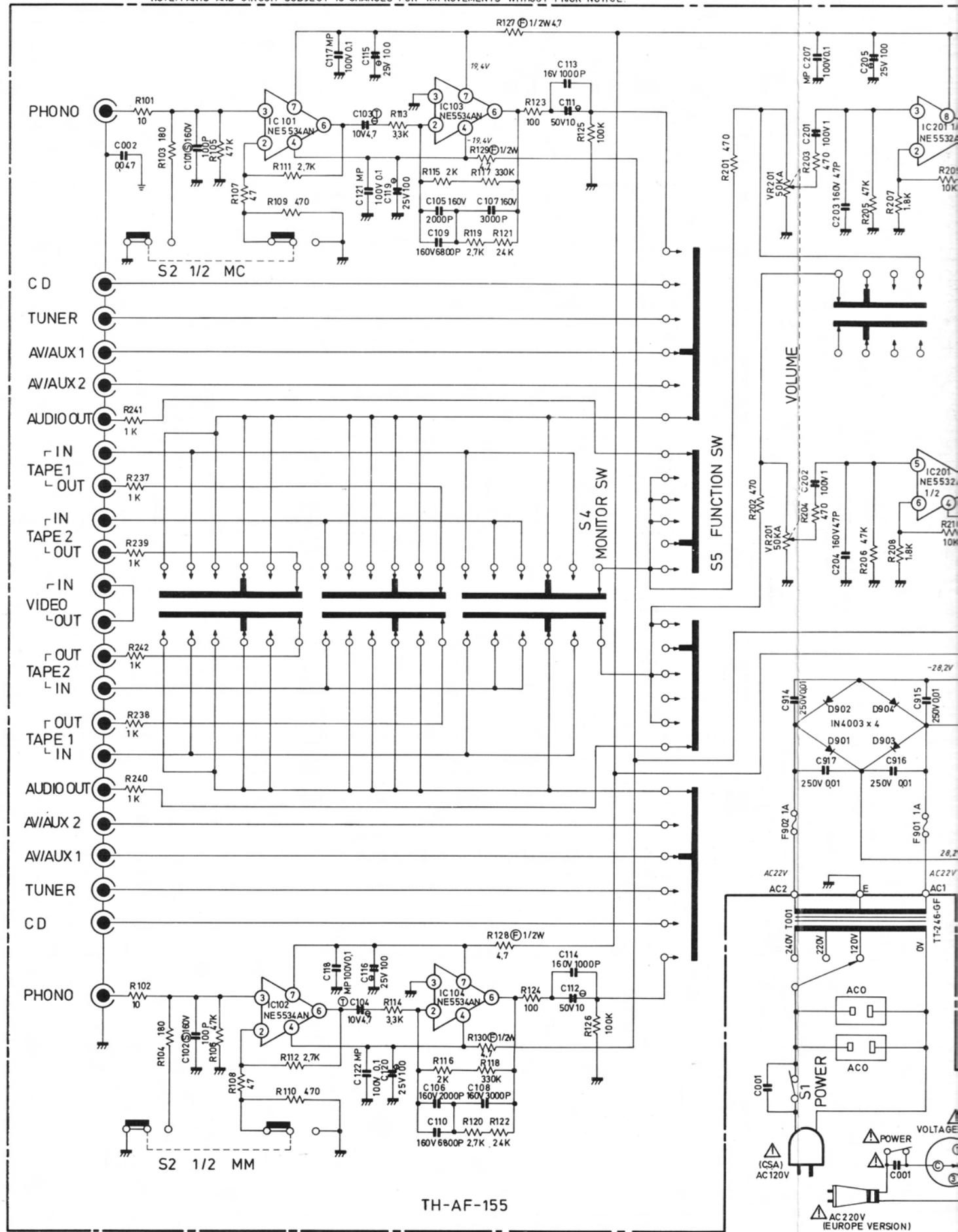
MONITOR

FUNCTION

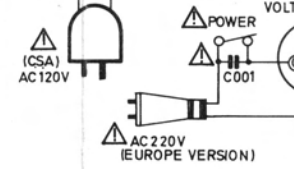
J3

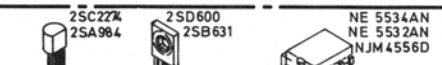
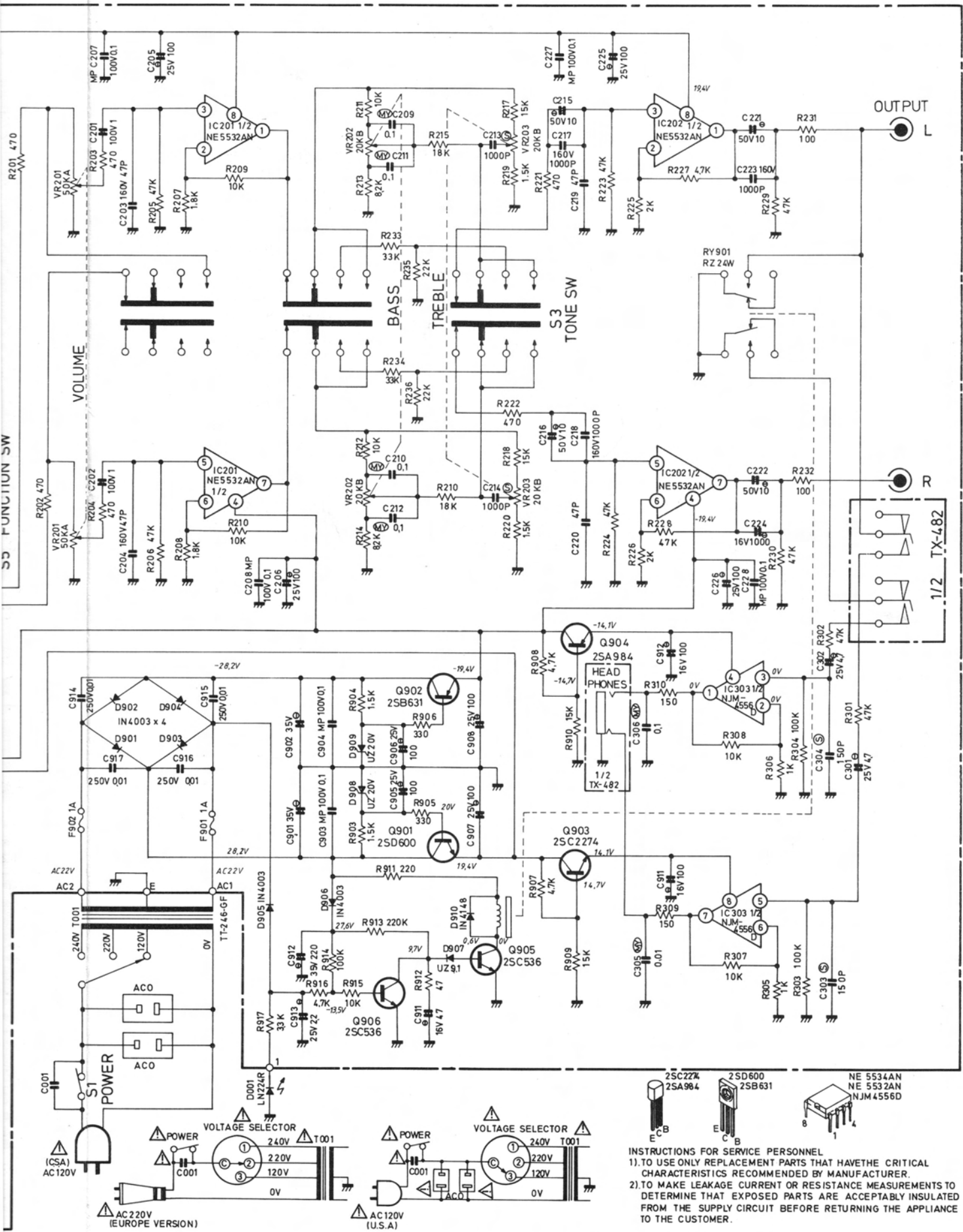
Schematic Diagram

NOTE: PARTS AND CIRCUIT SUBJECT TO CHANGES FOR IMPROVEMENTS WITHOUT PRIOR NOTICE.



TH-AF-155





INSTRUCTIONS FOR SERVICE PERSONNEL

1. TO USE ONLY REPLACEMENT PARTS THAT HAVE THE CRITICAL CHARACTERISTICS RECOMMENDED BY MANUFACTURER.
2. TO MAKE LEAKAGE CURRENT OR RESISTANCE MEASUREMENTS TO DETERMINE THAT EXPOSED PARTS ARE ACCEPTABLY INSULATED FROM THE SUPPLY CIRCUIT BEFORE RETURNING THE APPLIANCE TO THE CUSTOMER.